



TRM 823/833/885/PVS15

P/N : 300828-101

SUBREV : K

DRAWN BY : C THOMSON

DATE : 21 MAR 2012

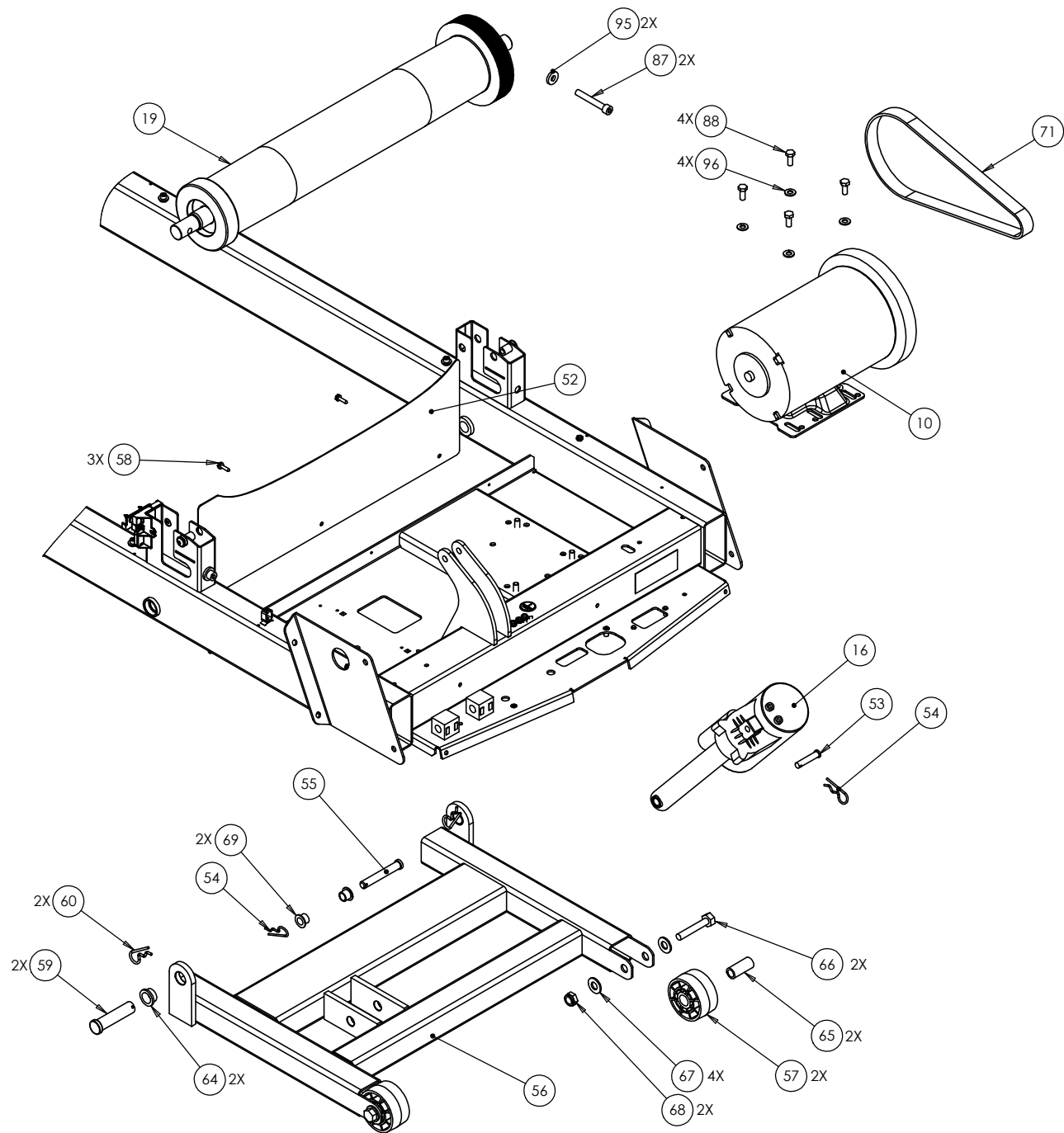
SHEET 1 OF 9

D

C

B

A

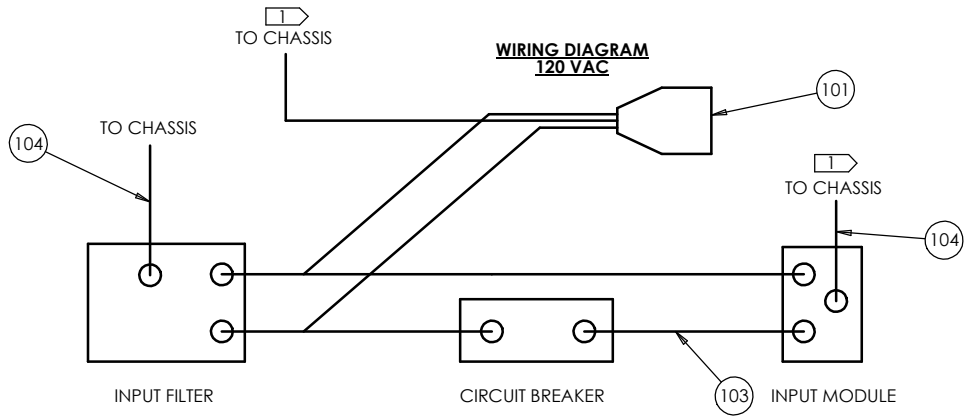
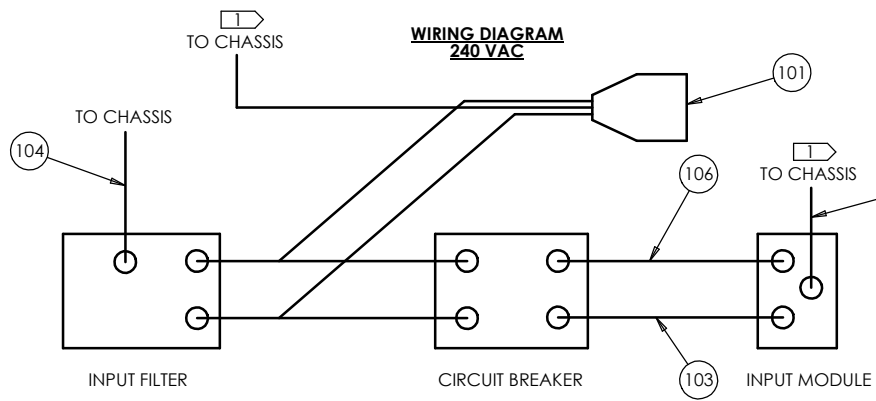


D

C

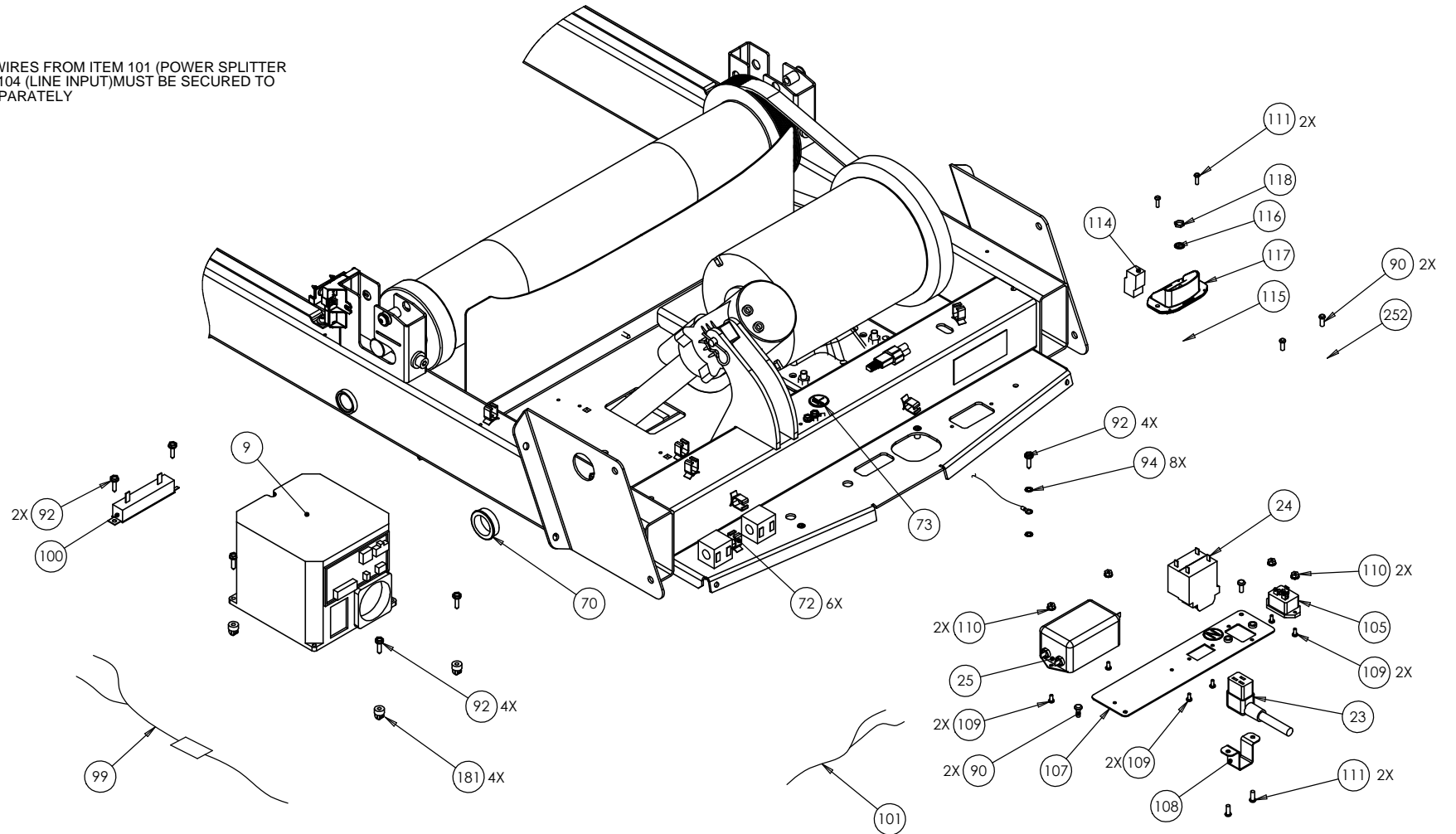
B

A



NOTES:

1 GROUND WIRES FROM ITEM 101 (POWER SPLITTER AND ITEM 104 (LINE INPUT) MUST BE SECURED TO FRAME SEPARATELY



D

C

B

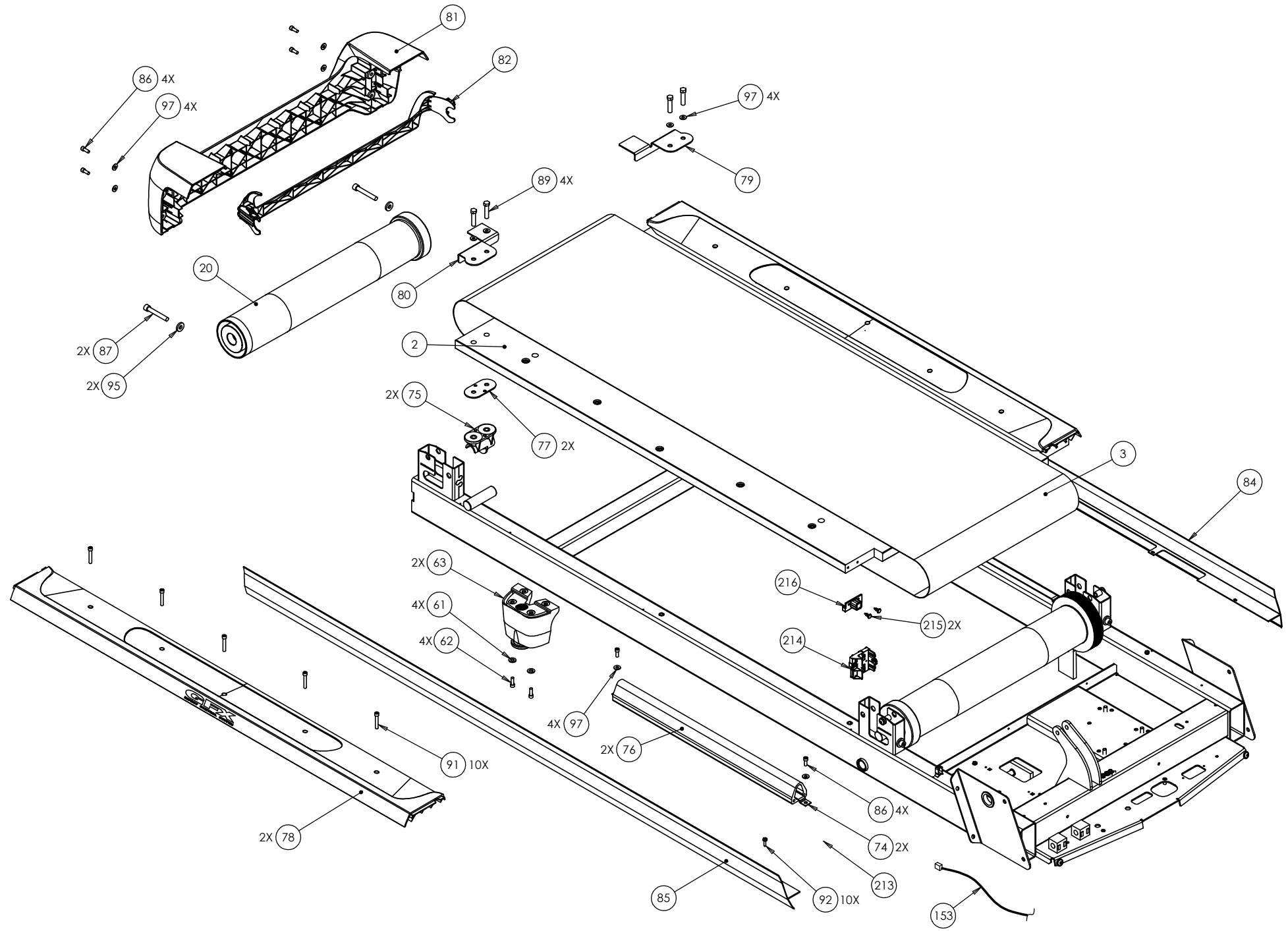
A

4

3

2

1

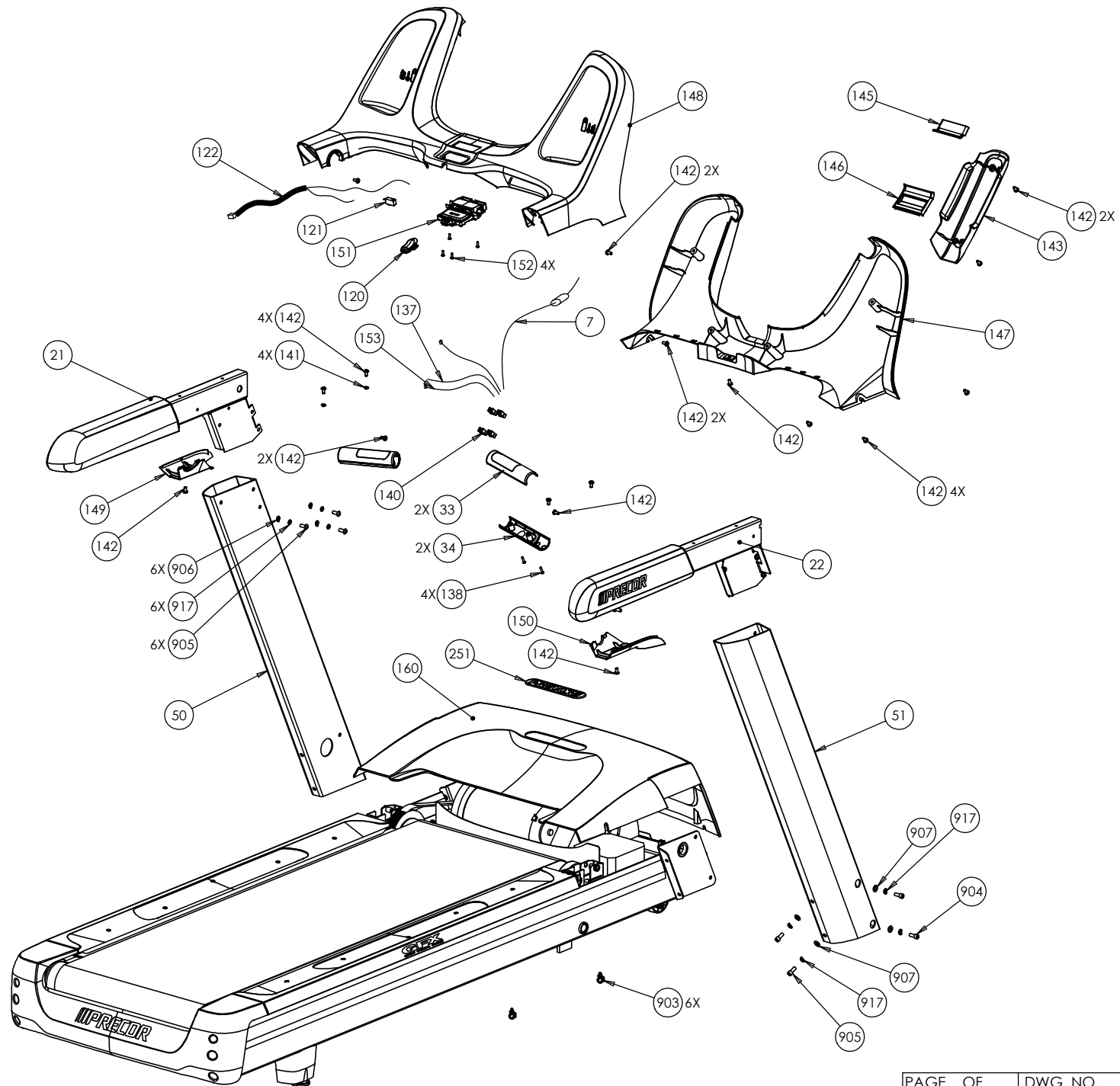


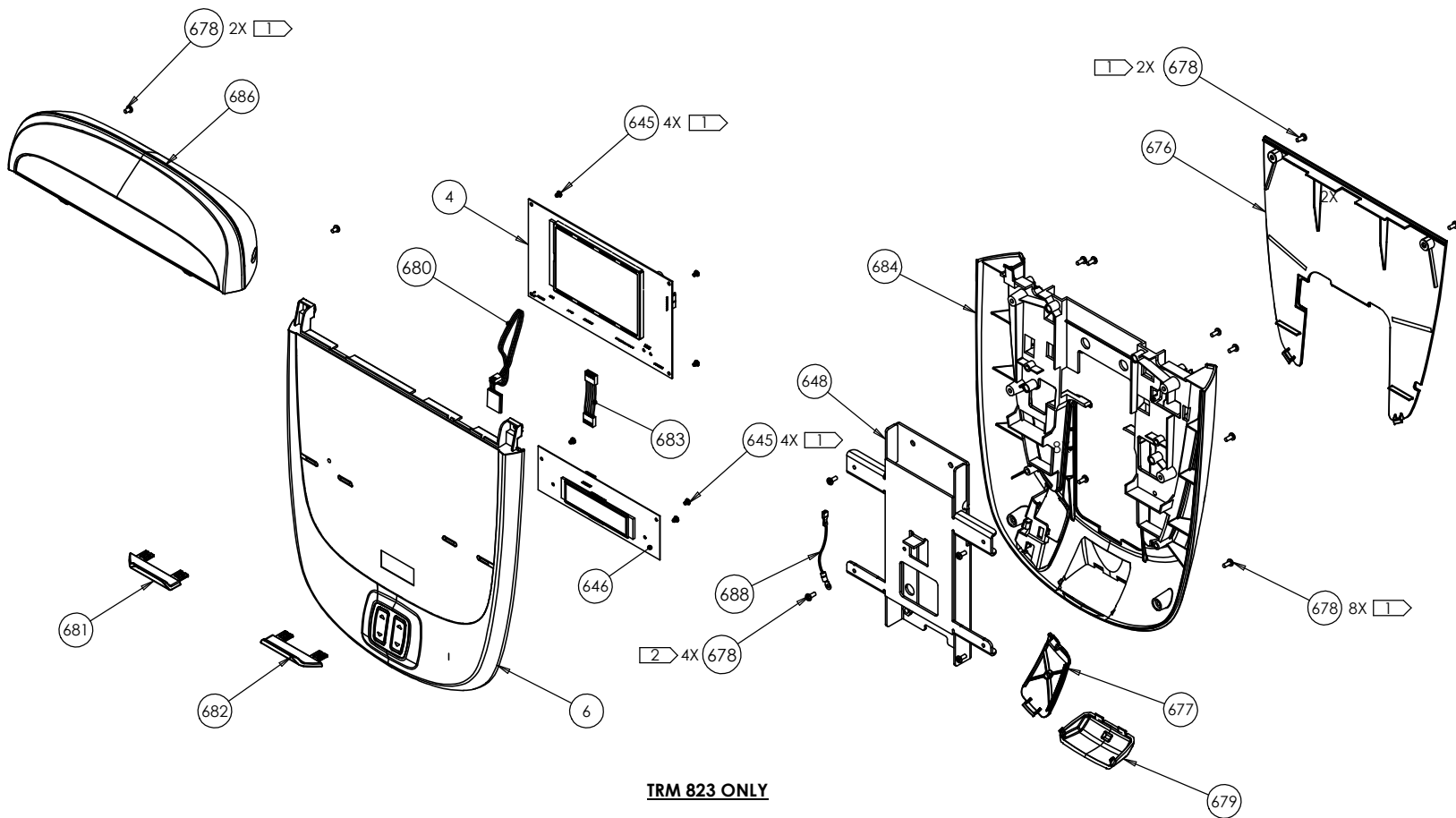
4

3

2

1

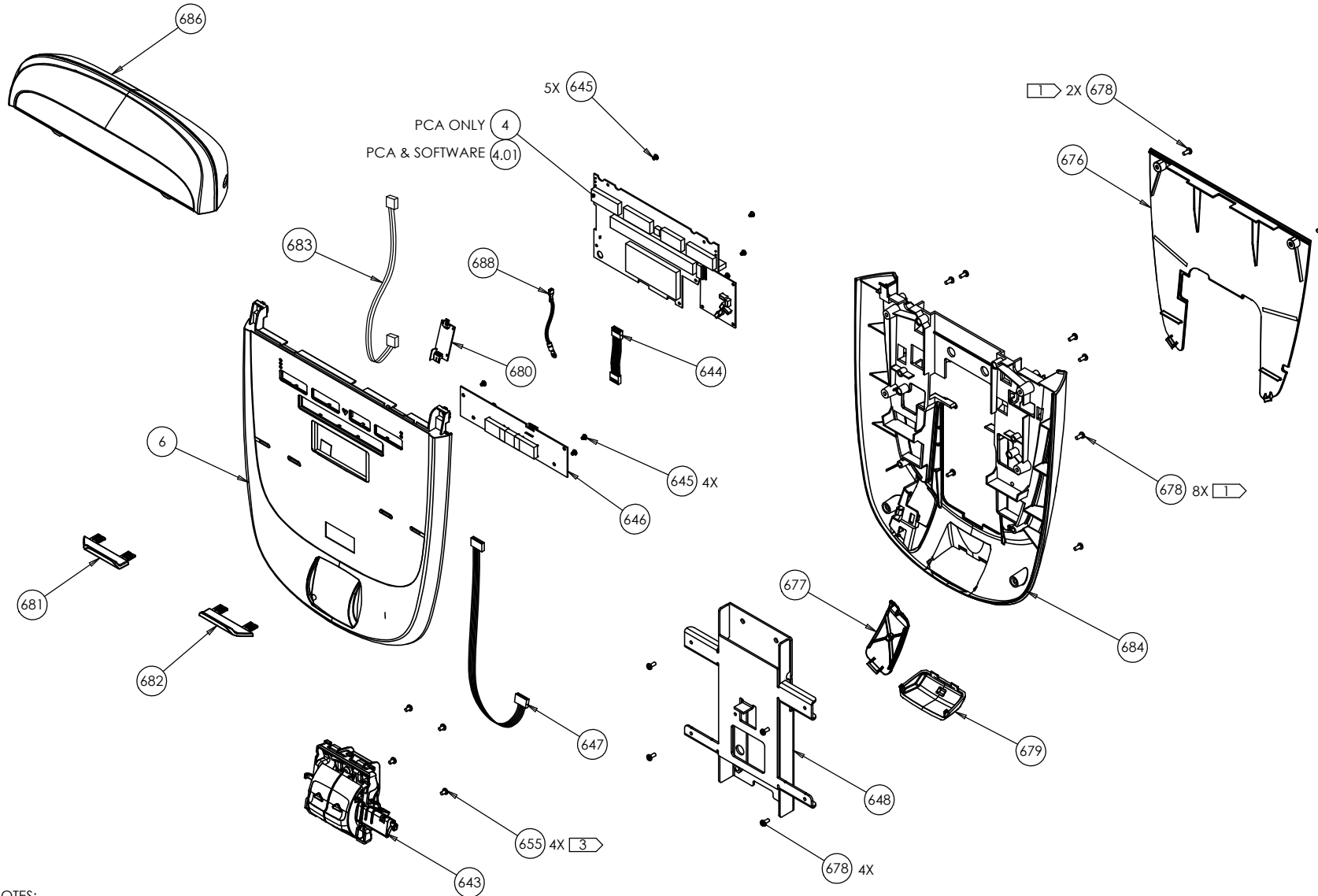




TRM 823 ONLY

NOTE:

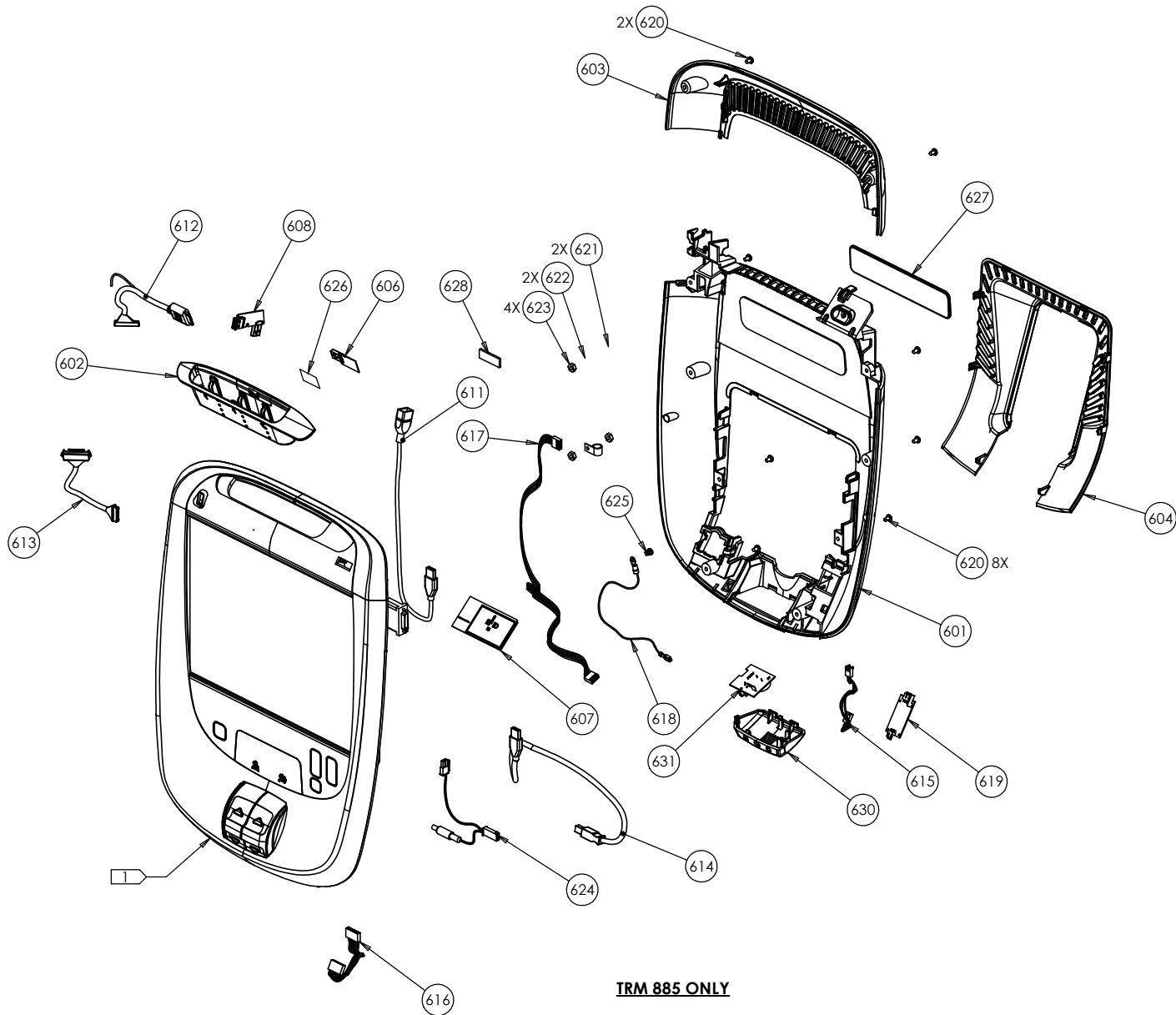
- [1] TORQUE TO 10 IN-LB ± 1 IN-LB.
- [2] TORQUE TO 19 IN-LB ± 1 IN-LB.



NOTES:

- 1 TORQUE TO 10 IN-LB ±1 IN-LB.
- 2 TORQUE TO 19 IN-LB ±1 IN-LB.
- 3 TORQUE TO 6 IN-LB, MAX.

TRM 833 ONLY

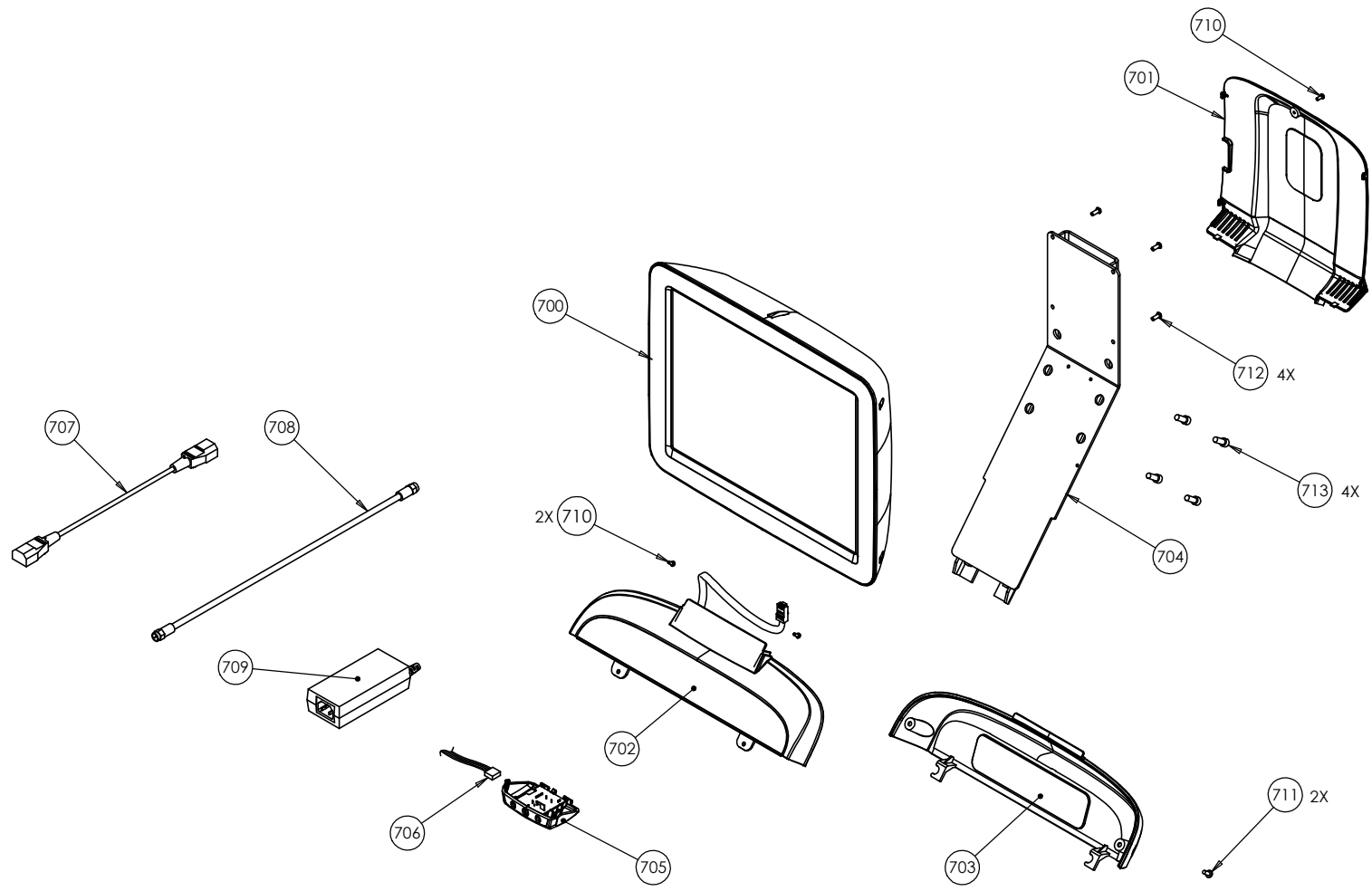


TRM 885 ONLY

NOTES:

 THIS IS A COMPLETE DISPLAY ASSEMBLY, PACKAGED FOR SHIPPING.
 ORDER BUBBLE #650 FOR WARRANTY REPLACEMENTS, OR ANY RELATED PART NOT SHOWN SEPARATELY.
 ORDER BUBBLE #600 FOR PURCHASED REPLACEMENTS, OR ANY RELATED PART NOT SHOWN SEPARATELY.

PAGE	OF	DWG. NO.	SUBREV
8	9	300828-101	K



PVS15

TRM 823 (120V) (serial code AMWZ + AAEZ) 915 MHZ

Part Number	Description	Bubble Number
PPP00000059097103	DECK W/SHIPPER, EXP. LINE	2
PPP00000036355136	RUNNING BELT, SIEGLING 132.75 X 20	3
PPP00000059217101	DISPLAY HOUSING, P20, TRM, ASSY	6
PPP000000300814104	ASSEMBLY, CABLE, MOD 8P8C 1-1, W/FE	7
PPP000000300503104	MODULE,MOTOR DRIVE,AC INDUCTION,COM	9
PPP00000048697105	ASSY, DRIVE MOTOR, AC INDUCTION,2HP	10
PPP00000044257107	MOTOR, LIFT ACTUATOR, 120V, ROHS	16
PPP00000044214104	ASSEMBLY, DRIVE ROLLER	19
PPP00000044212104	ASSEMBLY, TAKE-UP ROLLER	20
PPP000000300380103	ASSEMBLY, OVERMOLD, LEFT	21
PPP000000300380104	ASSEMBLY, OVERMOLD, RIGHT	22
PPP00000047429144	PWR CORD,125VAC,20A,NEMA 5-20RA45/I	23
PPP00000011462143	CKT BRKR,250V,MAGNETIC,ROCKER,1 PO	24
PPP00000011224104	FILTER, POWER LINE, 250VAC, 16A, GE	25
PPP00000035700102	GRIP, HHR, TOP 9.3X-07, BLACK	33
PPP00000035701102	GRIP, HHR, BOTTOM 9.3X-07, BLACK	34
PPP00000048668101	TARGA, LEFT,PAINTED	50
PPP00000048668102	TARGA, RIGHT,PAINTED	51
PPP00000048685101	DUST GUARD	52
PPP00000010401106	PIN,CLEVIS, 3/8 X 1.75, ZINC	53
PPP00000010400103	PIN, HITCH, .093 DIA, ZINC, #203	54
PPP00000045669107	PIN, LIFT PIVOT, 3.34, MUSHROOM HEA	55
PPP00000048659101	WELDMENT, LIFT PLATFORM	56
PPP00000044270101	WHEEL, LIFT	57
PPP00000PKCN019075	SCREW,S/T,#10X.75,WSHXHD,ZN	58
PPP00000045669109	PIN, LIFT PIVOT, 3.27, MUSHROOM HEA	59
PPP00000010400106	PIN, HITCH, .125 DIA, ZINC, #216	60
PPP00000WBCN031007	WASHER,FLT,5/16X.688X.065, ZN	61
PPP00000CAMN031100	SCREW,SKHD,5/16-18X1,ZN (MECH PLATI	62
PPP00000048684101	ASSEMBLY, REAR FOOT	63
PPP00000010043136	BEARING,FLANGE .875ODX.750IDX.50L	64
PPP00000036192101	BUSHING, SPANNER	65
PPP00000HCTN050250	SCREW,HEX,GR 5,1/2-13X2-1/2,BLK SHA	66
PPP00000WBCN050010	WASHER, FLT, 1/2, ID=.531,	67
PPP00000KACN050019	LOCKNUT,HALF,1/2-13,ZN	68
PPP00000010043113	BEARING,FLANGE,OD=.62 ID=.5	69
PPP00000010178112	BUSHING, SNAP	70
PPP00000010214102	BELT, DRIVE, 320J10 POLY V, TEM	71
PPP00000011278101	CABLE CLAMP,INSERT	72
PPP00000033984101	LABEL, SAFETY, GROUND SYMBOL	73
PPP00000044074106	STRAP, GFX TIE DOWN	74
PPP00000044234101	DECK PIVOT	75
PPP00000044236101	GFX CUSHION	76
PPP00000044263101	PLATE, SPACER, DECK	77
PPP00000048968105	ASSEMBLY, TRIM STRIP, C966I,PACIFIC	78
PPP000000300833101	BRACKET, REAR ROLLER GUARD, LEFT, P	79
PPP000000300833102	BRACKET, REAR ROLLER GUARD, RIGHT,	80
PPP00000048694102	END CAP, PACIFIC BLUE, NEW LOGO	81
PPP00000048695104	BELT GUARD, END CAP, PACIFIC BLUE	82
PPP000000300172101	SIDE TRIM, LEFT, PLASTIC	84

PPP00000300172102	SIDE TRIM, RIGHT, PLASTIC	85
PPP00000CAMN025075	SCREW, SKHD, 1/4 X 0.75, ZN,(MECH P	86
PPP00000CKMN038250	SCREW,SKHD,3/8-24X2.50L,.78 SHOULDE	87
PPP00000HCCN031075	SCREW, HEX HD, GRADE 5, 5/16-18 X .	88
PPP00000HCCN038150	SCREW,HEX,GR 5,3/8-16X1 1/2,ZN	89
PPP00000MGCN019050	SCREW, MACHINE, 10-24X1/2, PANHD, P	90
PPP00000CATN025150	SCREW, SKHD,1/4-20X1.50,BLK SHARPER	91
PPP00000PKCN019075	SCREW,S/T,#10X.75,WSHHXHD,ZN	92
PPP00000WAMCN019002	WASHER, LOCK, EXT TOOTH, #10	94
PPP00000WAVCN038015	WASHER, FLAT, 3/8 X .875 X .150	95
PPP00000WBCN031007	WASHER,FLT,5/16X.688X.065, ZN	96
PPP00000WNCN026006	WASHER,FLT,1/4X.625X.063,ZN	97
PPP000000012000030	GASKET,EMI,FABRIC OVER FOAM W/PSA,1	98
PPP0000000300075016	ASSY, CABLE, 2C, 16 AWG, BROWN, QK	99
PPP000000012248101	RES,WW,100 OHM,50W,10%,METAL CASE,.	100
PPP0000000300826017	ASSY,CABLE, FILTER TO DRIVE MODULE,	101
PPP0000000037436101	LABEL, CHASIS NEUTRAL	102
PPP0000000040193006	ASSY,CBL,1C,12AWG,250X032 QD RECP(X	103
PPP0000000044528006	ASSY,CBL,1 C0ND,14AWG,QK DISC,6",BR	103
PPP0000000040731009	CBL,1C,14AWG,#10 RING/250X032 QD RE	104
PPP0000000045381101	IEC 16/20A POWER CORD INLET	105
PPP0000000040194007	ASSY,CBL,1C,12AWG,250X032 QD RECP/2	106
PPP0000000045383009	CBL,1C,14AWG,250X032 QD RECP/250X03	106
PPP0000000048760101	PLATE, POWER ENTRY	107
PPP0000000048761101	CLAMP, POWER CORD	108
PPP00000MGCN013038	SCREW,MCH,6-32X3/8,PANHD,PHIL,	109
PPP00000KGCN013011	LOCKNUT, STARWASHER 6-32, #6	110
PPP00000MGCN019050	SCREW, MACHINE, 10-24X1/2, PANHD, P	111
PPP0000000044021104	CLIP ASSEMBLY	120
PPP0000000012259102	SWITCH,MICRO,PLUNGER,SPNC	121
PPP0000000040137024	1ASSY,CABLE W/JACKET,E-STOP PLUS SOF	122
PPP0000000047342045	ASSY, CABLE, HHR PCA TO GRIP, W/SH	137
PPP00000TCNN016075	SCREW, BTHD, 8-32X.75,SS	138
PPP0000000010123101	CABLE TIE,11 LONG,WHITE,NYL	139
PPP0000000011278101	CABLE CLAMP,INSERT	140
PPP00000WALCN025006	WASHER, SPLIT LOCK, 1/4 MED,	141
PPP00000PANTN025050	SCREW,S/T,#1/4-20X1/2,PANHD,PHIL,TR	142
PPP00000000300361102	COVER, CONDUIT, REAR, TREADMILL	143
PPP00000000300362101	COVER, CONDUIT, UPPER TREADMILL	145
PPP00000000300363101	COVER, CONDUIT, LOWER TREADMILL	146
PPP00000000300367101	DASH, BACK, TREADMILL	147
PPP00000000300366101	ASSY,DASH,TREADMILL	148
PPP00000000300374101	TRANSITION,DASH,TARGA,LEFT	149
PPP00000000300374102	TRANSITION,DASH,TARGA,RIGHT	150
PPP00000000300369102	ASSY,STOP SWITCH,CONSOLE	151
PPP00000MGCN016038	SCREW,MCH,8-32X3/8,PANHD,PHIL,	152
PPP00000000300980102	CBL, 4P3C-3P3C,22AWG, W/RAMP & RIBS	153
PPP0000000048747105	ASSEMBLY, HOOD, PACIFIC BLUE, NEW L	160
PPP0000000012865003	CABLE P-CLIP,OPEN ENDED,0.375" BUND	213
PPP00000000300993101	ASSY,AUTO-STOP, PCA & PLASTIC HOUSI	214
PPP00000000301101101	FASTENER, SNAP-IN, PANEL (CHRISTMAS	215
PPP00000000301102101	ASSEMBLY, MAGNET HOLDER, AUTO STOP	216

PPP00000011075105	FUSE,2.00A,250VAC,SLOW,RADIAL	250
PPP000000300678101	LABEL, HOOD ALUMINUM, NEW LOGO	251
PPP000000302148101	PLATE, CONNECTOR COVER, BLANK	252
PPP00000MGCN013025	SCREW,MCH,6-32X1/4,PANHD,PHIL,	645
PPP000000300471401	PCA,METRICS,LCD MODULE,P20	646
PPP000000300285102	WELDMENT,DISPLAY,PT - P40/P30/P20	648
PPP000000057187101	KIT,P20,TRM,ENG,TV915,W-SHIPPER	675
PPP000000300278101	PLASTIC, SERVICE COVER, DISPLAY, P2	676
PPP000000300283101	PLASTIC, HR DOOR, P40/P20	677
PPP00000MGCN016038	SCREW,MCH,8-32X3/8,PANHD,PHIL,	678
PPP000000300204105	ASSY, HEAD PHONE JACK, P20/P30 - 91	679
PPP000000300233101	ASSY,HEART RATE,5.5KHZ,5V,RECEIVER	680
PPP000000300282103	SUPPORT,BOOK,LEFT,P40/P30/P20	681
PPP000000300282104	SUPPORT, BOOK, RIGHT, P40/P30/P20	682
PPP000000300462003	ASSY,CBL,6C .1 CTR, 1-6,SN,3"	683
PPP000000300277103	PLASTIC, REAR, DISPLAY ,P40/P30/P20	684
PPP00000CS58040101	CS DISPLAY,CAP,915MHZ,P20/P30,NA,W-	686
PPP000000040010008	ASSY,CBL,1C,20AWG,#8 RING/.110X032	688
PPP000000301451026	ASSY,CBL,3P3C-6P3C(W/RAMP & RIBS),.	706
PPP000000301149006	ASSY, CABLE, 8P2C/8P2C .1 CTR,,1-1,	714
PPP000000012414101	CABLE CLAMP INSERT,SNAP IN	903
PPP00000CATN031075	SCREW,SKHD,5/16-18X0.75,BLK SHARPER	904
PPP00000TCNN031075	SCREW,BTHD,5/16-18X.75,SS	905
PPP00000WEGN031007	WASHER, FLT, 5/16X.688X.065,SS, BLK	906
PPP00000WENN031007	WASHER, FLT, 5/16X.688X.065,SS	907
PPP00000TATN031075	SCREW,BTHD,5/16-18X3/4,BLK SHARPERI	908
PPP00000KGCN031027	LOCKNUT,STARWASHER,5/16-18,1/2	909
PPP00000MACCN025062	MACHINE SCREW, 1/4-20, [FLAT HEAD,	910
PPP00000WALCN031008	WASHER, 5/16 SPLIT LOCK, ZINC	917
PPP000000300491241	LITERATURE KIT, TREAD,ATLAS, EN	999